

MULTIMEDIA PLAYER

LED SCREEN MULTIMEDIA PLAYER

MODEL : OKN-TB6



HDMI



Wifi



4G LTE

INTRODUCTION

The OKN-TB6 is the second generation of multimedia player launched by NovaStar for full-color LED displays. This multimedia player integrates playback and sending capabilities, allowing for solution publishing and screen control via various user terminal devices such as PC, mobile phones and tablets



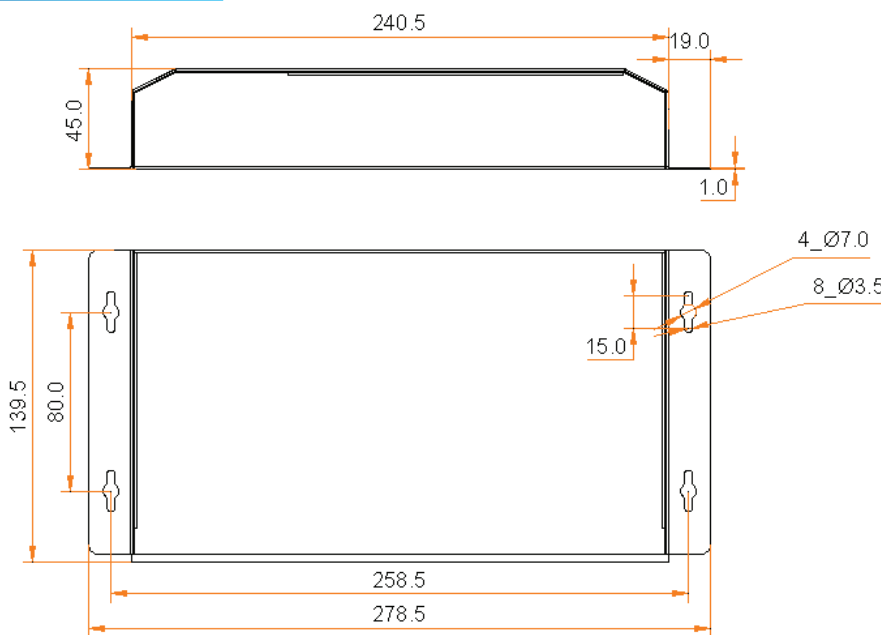
FEATURE

- Loading capacity up to 1,300,000 pixels with a maximum width of 4096 pixels and a maximum height of 1920 pixels
- 4x - Gigabit Ethernet outputs with two serving as the main and the other two as the backup by default
- 1x Stereo audio output
- 1x HDMI 1.3 output, allowing for HDMI Loop
- 1x HDMI 1.3 input, accepting HDMI input and allowing content to auto fit to screen
- 2x USB 2.0, capable of playing solutions imported from a USB drive
- On-board brightness sensor connector, allowing for automatic and scheduled smart brightness adjustment
- Synchronous playback across multiple screens
- Powerful processing capacity
 - 8 core 1.5 GHz processor
 - Hardware decoding and playback of H.265
 - 4K HD videos
 - Hardware decoding of 1080P videos
 - 2 GB of RAM
 - 8 GB of internal storage (4 GB available)
- All-round control plans
 - Solution publishing and screen control via user terminal devices such as PC, mobile phones and tablets
 - Remote cluster solution publishing and screen control
 - Remote cluster screen status monitoring
- Synchronous and asynchronous modes
 - When the internal video source is used, the works in asynchronous mode.
 - When the HDMI video source is used, the works in synchronous mode
- Dual Wi-Fi modes
 - Comes with a permanent built-in Wi-Fi AP and supports Wi-Fi Sta
- Support for 4G modules
 - The TB6 ships without a 4G module. Users have to purchase 4G modules separately if needed
- Redundancy
 - Network redundancy: The TB6 connects to the Internet via wired network, Wi-Fi Sta, 4G network according to the priority, making the network connection more stable.

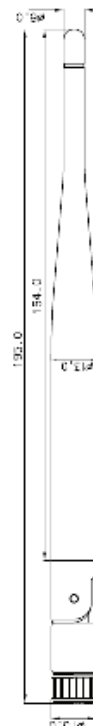
PRODUCT DESCRIPTION

ELECTRICAL PARAMETERS	Input voltage	AC 100 V~240 V
	Maximum power consumption	18 W
STORAGE CAPACITY	RAM	2 GB
	Internal storage	8 GB (4 GB available)
STORAGE ENVIRONMENT	Temperature	-40°C to +80°C
	Humidity	0% RH to 80% RH, non-condensing
OPERATING ENVIRONMENT	Temperature	-20°C to +60°C
	Humidity	0% RH to 80% RH, non-condensing
PACKING INFORMATION	Dimensions (L×W×H)	375 mm × 280 mm × 108 mm
	List	1x TB6
		2x Wi-Fi omnidirectional antennas
		1x AC power cord
1x Quick Start Guide		
DIMENSIONS (L×W×H)	278.5 mm × 139.5 mm × 45.0 mm	
NET WEIGHT	1352.3 g	
IP RATING	IP20	
	Please prevent the product from water intrusion and do not wet or wash the product.	
CERTIFICATIONS	CE, FCC SDoC, FCC ID, UL, PSE, CB, IC, CCC, KC, RCM, MIC, SIRIM, EAC, FAC,	
	PSB, IMDA, NTC, CITI, NCC	
SYSTEM SOFTWARE	Android operating system software	
	Android terminal application software	
	FPGA program	

DIIMENSIONS (MM)



Tolerance: ±0.1 Unit: mm



Tolerance: ±0.1 Unit: mm