

MOBILE TV STAND

MOBILE STAND SUITABLE FOR 65-86 INCH

MODEL : OKN-MS



DESCRIPTION

Make your TV mobile, Features lockable caster wheels for easy mobility and added security. Perfect for the home, office, school, airport, shopping mall, conference room, trade show, hotel, and more

FEATURE

- VESA : 800*600
- Load bearing : 180KG
- Suitable for machine : 55"-86"
- Vertical angle error : 0-10
- Net weight : 18.9KG
- Gross Weight : 21.98KG
- Packing size : 1590*718*154mm

HUMANOID SUPPORT (LEFT AND RIGHT)	:	2	
TRAY	:	1	Assemble with support
HORIZONTAL HANGER	:	1	Assemble with support
VERTICAL HANGING	:	2	Assemble with support
2 INCH M12 SCREW SWIVEL CASTER	:	4	Assemble with support
M12 SHRAPNEL	:	4	Assembly with casters
M8*25 SOCKET HEAD CAP SCREWS	:	16	connected to support
M8 GASKET	:	12	Assembled with M8 hexagon socket
M8 SHRAPNEL	:	12	Assembled with M8 hexagon socket
M8 ALLEN KEY	:	1	
17MM OPEN END WRENCH	:	1	
OUTER Y18* INNER Y8.0	:	4	Assembly with vertical beam machine
* HEIGHT 10MM OF ROUND PLASTIC PAD			



Adjustable For Different Heights



Tray design

Maintain Better Stability

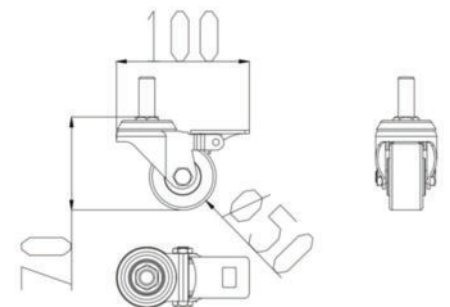
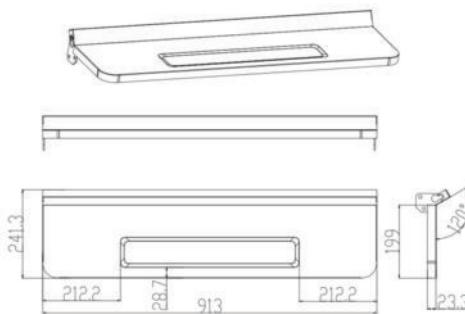
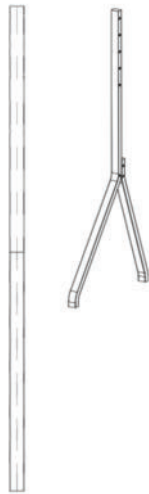
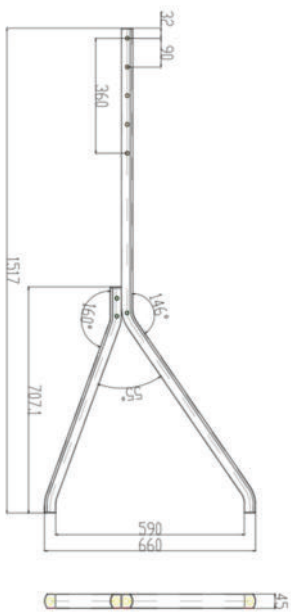
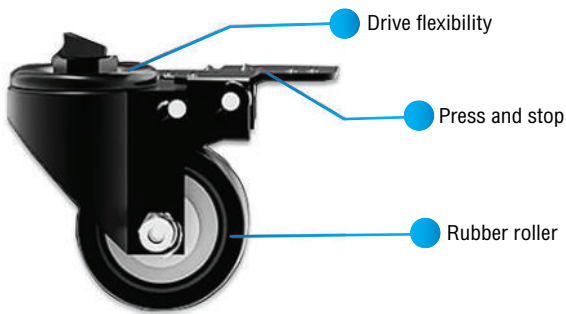


Rounded design

Prevent the impact



360° omnidirectional movement



Application Scenarios

Suitable for multiple scenarios



Office



Kindergarten



Hospital



Reception



Home



Shop

